



**Lifting force tables EZ26**

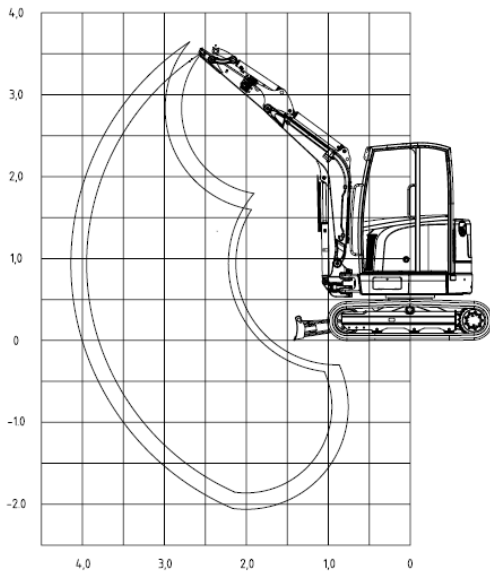


Fig. 1: Lifting force table EZ26 – Canopy

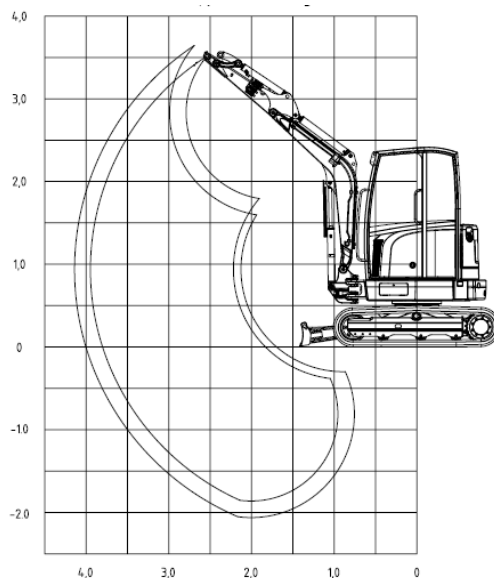


Fig. 2: Lifting force table EZ26 – Canopy, with additional rear weight

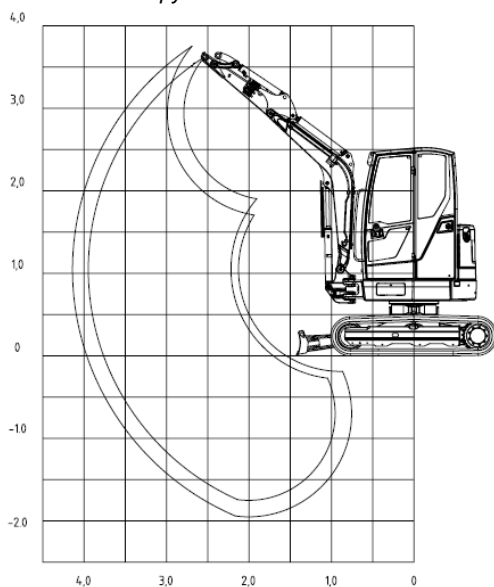


Fig. 3: Lifting force table EZ26 – Cabin, VDS

max	Permissible load with extended dipper stick
A	Outreach from middle of rotating assembly
B	Load hook height
*	Lifting force limited by hydraulics
	With or without dozer blade support in travel direction
	With or without dozer blade support 90° from the travel direction

All table values are specified in kg (lbs.), in a horizontal position on a solid surface and without a bucket or an attachment. If a bucket or other attachment is mounted, the lifting force or tipping load is reduced by the device's dead weight.

Base of calculation: according to ISO 10567.

The lifting force of the vehicle is limited by the settings of the pressure relief valves and hydraulic performance or by the tipping safety mechanism.

Neither 75% of the static tipping load nor 87% of the hydraulic lifting force are exceeded. The lifting force of the vehicle is limited by the hydraulic capacity or by the tilting safety mechanism.

Neither 75% of the static tipping load nor 87% of the hydraulic lifting force are exceeded.

Base of calculation: according to ISO 10567.

The lifting capability applies for vehicles under the following conditions:

- Lubricants and operating materials at the prescribed levels.
- Full fuel tank.
- Vehicle at operating temperature.
- Weight of the operator 75 kg (165 lbs.).



**WACKER  
NEUSON**  
*all it takes!*

**Lifting force tables EZ26**

					3,5 m (137,7 in)			3,0 m (118,1 in)			2,5 m (98,4 in)			2,0 m (78,7 in)		
A B				Blade down	Blade up		Blade down	Blade up		Blade down	Blade up		Blade down	Blade up		
	3,0 m (118.1 in)	521* (1,149)*	408 (899)	365 (805)	-	-	-	505* (1,113)*	450 (992)	402 (886)	-	-	-	-	-	-
2,0 m (78.7 in)	502* (1,107)*	293 (646)	261 (575)	505* (1,113)	335 (739)	299 (659)	538* (1,186)*	438 (966)	390 (860)	603* (1,329)	597 (1,316)	528 (1,164)	-	-	-	
1,0 m (39.4 in)	507* (1,118)*	260 (573)	231 (509)	569* (1254)*	316 (697)	281 (619)	681* (1,501)*	402 (886)	356 (785)	895* (1,973)	530 (1,168)	464 (1,023)	-	-	-	
0,0 m (0 in)	517* (1,140)*	269 (593)	239 (527)	597* (1,316)	302 (666)	267 (589)	750* (1,653)*	378 (833)	333 (734)	992* (2,187)*	496 (1,093)	432 (952)	1398* (3,082)*	712 (1,570)	608 (1,340)	
- 1,0 m (- 39.4 in)	512* (1,129)*	342 (754)	302 (666)	-	-	-	622* (1,371)	381 (840)	335 (739)	826* (1,821)*	500 (1,102)	436 (961)	1,105* (2,436)*	726 (1,601)	622 (1,371)	


Tab. 1: Lifting force tables EZ26, Canopy, short dipper stick

					3,5 m (137,7 in)			3,0 m (118,1 in)			2,5 m (98,4 in)			2,0 m (78,7 in)		
A B				Blade down	Blade up		Blade down	Blade up		Blade down	Blade up		Blade down	Blade up		
	3,0 m (118.1 in)	470* (1,036)*	356 (785)	318 (701)	-	-	-	434* (957)*	434* (957)*	407 (897)	-	-	-	-	-	-
2,0 m (78.7 in)	459* (1,012)*	265 (584)	236 (520)	462* (1,019)*	336 (741)	300 (661)	486* (1,071)*	441 (972)	393 (866)	-	-	-	-	-	-	
1,0 m (39.4 in)	466* (1,027)*	237 (522)	210 (463)	541* (1,193)*	314 (692)	279 (615)	641* (1,413)*	402 (886)	356 (785)	832* (1,834)*	535 (1,179)	468 (1,032)	-	-	-	
0,0 m (0 in)	478* (1,054)*	243 (536)	215 (474)	591* (1,303)*	297 (655)	262 (578)	739* (1,629)*	373 (822)	328 (723)	985* (2,172)*	491 (1,082)	427 (941)	1,436* (3,166)*	702 (1,548)	599 (1,321)*	
- 1,0 m (- 39.4 in)	482* (1,063)*	299 (659)	264 (582)	-	-	-	664* (1,464)*	370 (816)	324 (714)	875* (1,929)*	488 (1,076)	425 (937)	1,199* (2,643)*	710 (1,565)	606 (1,336)	


Tab. 1: Lifting force tables EZ26, Canopy, long dipper stick



**Lifting force tables EZ26**

					3,5 m (137,7 in)			3,0 m (118,1 in)			2,5 m (98,4 in)			2,0 m (78,7 in)		
A B																
		Blade down	Blade up		Blade down	Blade up		Blade down	Blade up		Blade down	Blade up		Blade down	Blade up	
3,0 m (118.1 in)		521* (1,149)*	466 (1,027)	417 (919)	-	-	-	505* (1,113)*	505* (1,113)*	457 (1,008)	-	-	-	-	-	-
2,0 m (78.7 in)		502* (1,107)*	339 (747)	303 (668)	505* (1,113)*	385 (849)	345 (761)	538* (1,186)*	499 (1,100)	445 (981)	603* (1,329)*	603* (1,329)*	599 (1,321)	-	-	-
1,0 m (39.4 in)		507* (1,118)*	303 (668)	271 (597)	569* (1,254)*	367 (809)	327 (721)	691* (1,523)*	463 (1,021)	411 (906)	895* (1,973)*	609 (1,343)	535 (1,179)	-	-	-
0,0 m (0 in)		517* (1,140)*	314 (692)	280 (617)	597* (1,316)*	352 (776)	313 (690)	750* (1,653)*	439 (968)	388 (855)	992* (2,187)*	575 (1,268)	503 (1,109)	1,398* (3,082)*	823 (1,814)	706 (1,556)
-1,0 m (-39.4 in)		512 (1,129)*	397 (875)	352 (776)	-	-	-	622* (1,371)*	442 (974)	391 (862)	826* (1,821)*	579 (1,276)	507 (1,118)	1,105* (2,436)	837 (1,845)	719 (1,585)

Tab.3: Lifting force tables EZ26, Canopy, with additional rear weight, short dipper stick

					3,5 m (137,7 in)			3,0 m (118,1 in)			2,5 m (98,4 in)			2,0 m (78,7 in)		
A B																
		Blade down	Blade up		Blade down	Blade up		Blade down	Blade up		Blade down	Blade up		Blade down	Blade up	
3,0 m (118.1 in)		470* (1,036)*	408 (899)	365 (805)	-	-	-	434* (957)*	434* (957)*	434* (957)*	-	-	-	-	-	-
2,0 m (78.7 in)		459* (1,012)*	308 (679)	275 (606)	462* (1,019)*	386 (851)	345 (761)	486* (1,071)*	486* (1,071)*	448 (988)	-	-	-	-	-	-
1,0 m (39.4 in)		466* (1,027)*	278 (613)	247 (545)	541* (1,193)*	365 (805)	325 (717)	641* (1,413)*	464 (1,023)	411 (906)	832* (1,834)*	614 (1,354)	539 (1,188)	-	-	-
0,0 m (0 in)		478* (1,054)*	286 (631)	254 (560)	591* (1,303)*	347 (765)	307 (677)	739* (1,629)*	435 (959)	383 (844)	985* (2,172)*	570 (1,257)	497 (1,096)	1,436* (3,166)*	814 (1,795)	697 (1,537)
-1,0 m (-39.4 in)		482* (1,063)*	349 (769)	310 (683)	-	-	-	664* (1,464)*	431 (950)	380 (838)	875* (1,929)	568 (1,252)	495 (1,091)	1,199* (2,643)*	822 (1,812)	704 (1,552)

Tab.4: Lifting force tables EZ26, Canopy, with additional rear weight, long dipper stick



**Lifting force tables EZ26**

					3,5 m (137,7 in)			3,0 m (118,1 in)			2,5 m (98,4 in)			2,0 m (78,7 in)		
A B	 Blade down	 Blade up		 Blade down	 Blade up		 Blade down	 Blade up		 Blade down	 Blade up		 Blade down	 Blade up		
																3,0 m (118.1 in)
2,0 m (78.7 in)	501* (1,105)*	333 (734)	303 (668)	508* (1,120)*	382 (842)	348 (767)	549* (1,210)*	494 (1,089)	448 (988)	628* (1,385)*	628* (1,385)*	599 (1,321)	-	-	-	
1,0 m (39.4 in)	507* (1,118)*	303 (668)	275 (606)	573* (1,263)*	363 (800)	329 (725)	690* (1,521)*	458 (1,010)	413 (911)	912* (2,011)*	601 (1,325)	536 (1,182)	-	-	-	
0,0 m (0 in)	517* (1,140)*	319 (703)	289 (637)	589* (1,299)*	351 (774)	317 (699)	743* (1,638)*	437 (963)	392 (864)	979* (2,158)*	572 (1,261)	509 (1,122)	1,366* (3,012)*	821 (1,810)	715 (1,576)	
- 1,0 m (- 39.4 in)	506* (1,116)*	416 (917)	375 (827)	-	-	-	579* (1,276)*	444 (979)	399 (880)	783* (1,726)*	580 (1,279)	516 (1,138)	1,044* (2,302)*	838 (1,847)	731 (1,612)	

Tab.5: Lifting force tables, Cabin, VDS, short dipper stick

					3,5 m (137,7 in)			3,0 m (118,1 in)			2,5 m (98,4 in)			2,0 m (78,7 in)		
A B	 Blade down	 Blade up		 Blade down	 Blade up		 Blade down	 Blade up		 Blade down	 Blade up		 Blade down	 Blade up		
																3,0 m (118.1 in)
2,0 m (78.7 in)	458* (1,010)*	303 (668)	275 (606)	468* (1,032)*	383 (844)	348 (767)	498* (1,098)*	497 (1,096)	450 (992)	-	-	-	-	-	-	
1,0 m (39.4 in)	466* (1,027)*	277 (611)	251 (553)	547* (1,206)*	361 (796)	327 (721)	654* (1,442)*	458 (1,010)	412 (908)	855* (1,885)*	605 (1,334)	539 (1,188)	-	-	-	
0,0 m (0 in)	478* (1,054)*	289 (637)	262 (578)	587* (1,294)*	344 (758)	311 (686)	736* (1,623)*	431 (950)	387 (853)	977* (2,154)*	566 (1,248)	503 (1,109)	1,410* (3,109)*	810 (1,786)	705 (1,554)	
- 1,0 m (- 39.4 in)	479* (1,056)*	363 (800)	328 (723)	-	-	-	635* (1,400)*	431 (950)	387 (853)	840* (1,852)*	567 (1,250)	504 (1,111)	1,145* (2,524)*	821 (1,810)	715 (1,576)	

Tab.6: Lifting force tables, Cabin, VDS, long dipper stick